

Quick Disconnects

Bullet Female Quick Disconnects

Materials:

Conductor: Brass
Sleeve: Copper
Tubular Insulation: Vinyl
Plating: Tin

Operating Temperature:

-10°C to +75°C.

Features:

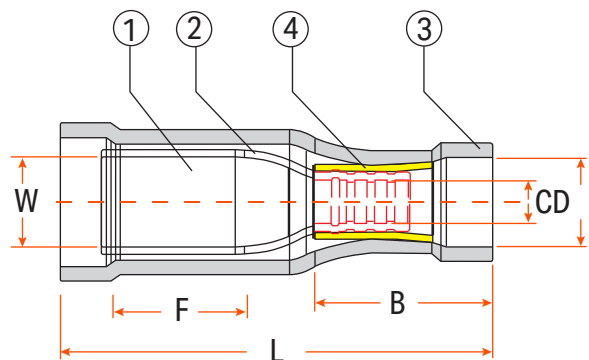
Max. voltage rating: 300V.
Flared barrel for easy wire insertion.
Low insertion force and easy crimping whilst ensuring secure termination.



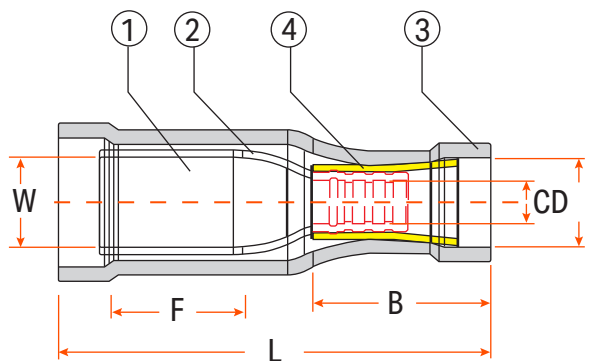
Material

- ① Brass
- ② Tin
- ③ Vinyl
- ④ Copper

Standard Internal Copper Sleeve



Long Internal Copper Sleeve



Max. current rating

Red	10A
Blue	15A
Yellow	24A

See product technical table on next page

Quick Disconnects

Bullet Female Quick Disconnects

Item No.	Colour	Wire Range (mm ²)	Dimensions (mm)					
			B	C	D	W	L	F
WT66	Red	0.5-1.5	10.5	1.7	3.8	3.9	25.5	7.3
WT66-L	Red	0.5-1.5	10.5	1.7	3.8	3.9	25.5	7.3
WT120	Blue	1.5-2.5	10.5	2.3	4.7	3.9	25.5	7.3
WT67	Blue	1.5-2.5	10.5	2.3	4.7	4.9	25.5	8.5
WT67-L	Blue	1.5-2.5	10.5	2.3	4.7	4.9	25.5	8.5
WT68	Yellow	4.0-6.0	13.7	3.4	6.2	4.9	28.0	8.5
WT68-L	Yellow	4.0-6.0	13.7	3.4	6.2	4.9	28.0	8.5

L suffix on Item No. denotes long internal copper sleeve.